



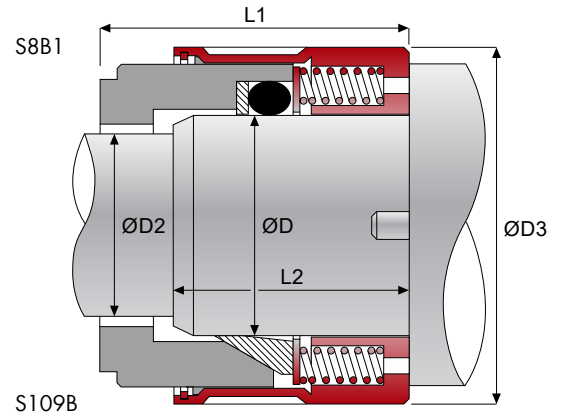
S8B1/S109B

Materials

Rotary Face	- Car / SiC / SSiC / TC
Elastomer S8B1	- NBR / EPDM / Viton / FFKM
Elastomer S109B	- PTFE

Working Conditions

Pressure S8B1	< 83 bar
Pressure S109B	< 52 bar
Speed	< 25 m/s
Temperature S8B1	up to 205°C
Temperature S109B	up to 205°C



Imperial		ØD2	ØD3	L1	L2
Shaft ØD	Code				
0.625	0158	12.70	30.7	27.0	22.2
0.750	0191	15.80	34.7	30.0	25.2
0.875	0222	19.10	38.0	32.0	25.6
1.000	0254	22.20	40.5	33.0	26.6
1.125	0286	25.40	43.5	35.0	27.1
1.250	0317	28.60	48.3	35.0	27.1
1.375	0349	28.60	52.0	37.0	28.3
1.500	0381	31.80	55.6	37.0	28.3
1.625	0412	34.90	61.0	45.0	36.3
1.750	0444	38.10	64.6	45.0	35.5
1.875	0476	41.30	67.3	45.0	35.5
2.000	0508	44.50	70.7	45.0	35.5
2.125	0539	47.60	77.0	52.0	40.9
2.250	0571	50.80	79.9	52.0	40.9
2.375	0603	54.00	83.1	52.0	40.9
2.500	0635	57.20	86.6	52.0	40.9
2.625	0666	60.30	89.6	52.0	40.9
2.750	0698	63.50	92.8	52.0	40.9
2.875	0730	66.70	96.0	52.0	40.9
3.000	0762	69.90	97.7	52.0	40.9
3.125	0794	73.00	100.5	52.0	40.9
3.250	0825	76.20	105.3	52.0	37.7
3.375	0857	79.40	108.3	52.0	37.7
3.500	0889	82.60	111.5	52.0	37.7
3.625	0921	85.70	114.9	52.0	37.7
3.750	0953	88.90	118.0	52.0	37.7
3.875	0984	92.10	121.2	52.0	37.7
4.000	1016	95.30	124.6	52.0	37.7