

S58B/S59B

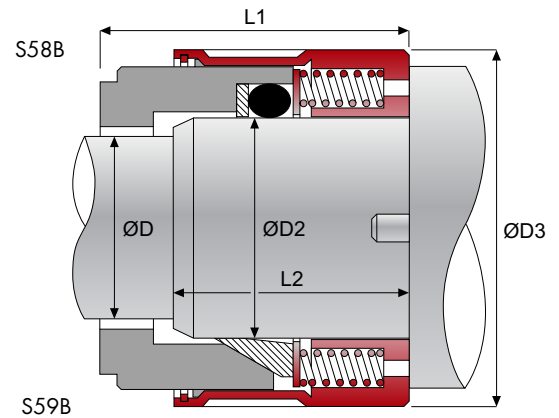


Materials

Rotary - Car, Sic, SSic, TC
 Elastomer S59B - PTFE
 Elastomer S58B - NBR, EPDM, Vit

Working Conditions

Pressure S59B < 50 bar
 S58B < 62 bar
 Speed < 25 m/s
 Temperature S59B up to 260°C
 S58B up to 205°C



Metric			ØD3	L1	L2
Seat ØD	Code	Rotary ØD2			
14	0140	18	32.00	30.50	24.50
16	0160	20	34.00	30.50	24.50
18	0180	22	36.00	31.50	25.00
20	0200	24	38.00	31.50	25.00
22	0220	26	40.00	31.50	25.00
24	0240	28	42.00	34.20	27.50
25	0250	30	44.00	34.50	27.50
28	0280	32	47.00	37.50	30.00
30	0300	33	49.00	38.00	30.00
32	0320	35	54.00	38.00	30.00
33	0330	38	54.00	38.00	30.00
35	0350	40	56.00	38.00	30.00
38	0380	43	59.00	39.50	29.50
40	0400	45	61.00	39.50	29.50
43	0430	48	64.00	39.50	29.50
45	0450	50	66.00	39.50	29.50
48	0480	53	69.00	39.50	29.50
50	0500	55	71.00	44.00	32.50
53	0530	58	78.00	44.00	32.50
55	0550	60	80.00	44.00	32.50
58	0580	63	83.00	49.00	37.50
60	0600	65	85.00	49.00	37.50
63	0630	68	88.00	49.00	37.50
65	0650	70	90.00	49.00	37.50
70	0700	75	95.00	55.50	42.00
75	0750	80	104.00	55.50	42.00
80	0800	85	109.00	55.00	42.00
85	0850	90	114.00	60.00	47.00
90	0900	95	119.00	60.00	47.00
95	0950	100	124.00	60.00	47.00
100	1000	105	129.00	60.00	47.00