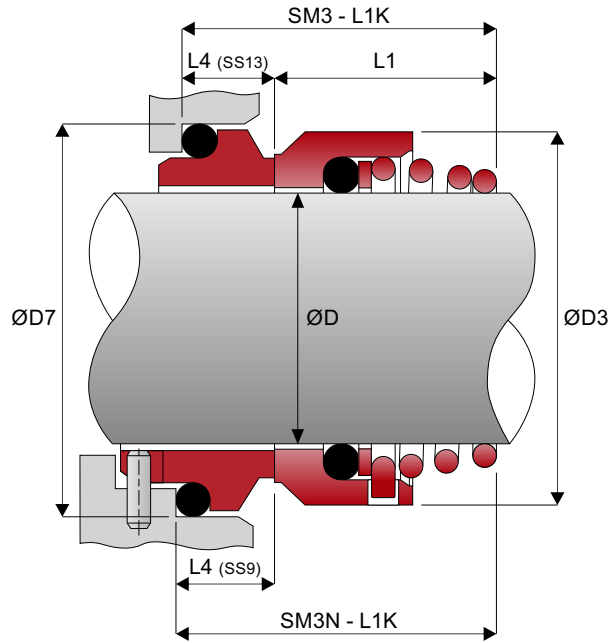


SM3/SM3N



SM3 uses SS13 Stationary
SM3N uses SS9 Stationary (Pinned)



Materials

Stationary - Car
 Rotary - S/S
 Elastomer - NBR / EPDM / Viton

Working Conditions

Pressure < 10 bar
 Speed < 10 m/s
 Temperature up to 180°C

Metric		ØD3	L1	SM3 - SS13			SM3N - SS9		
Shaft ØD	Code			L1K	L4	ØD7	L1K	L4	ØD7
10	0100	19	15.5	22.6	7.1	19.2	25.5	10.0	21.0
12	0120	21	16.0	23.6	7.6	21.6	26.0	10.0	23.0
14	0140	23	16.5	24.1	7.6	24.6	26.5	10.0	25.0
16	0160	26	18.0	27.0	9.0	28.0	28.0	10.0	27.0
18	0180	29	19.5	29.5	10.0	30.0	31.0	11.5	33.0
20	0200	31	22.0	31.5	9.5	35.0	33.5	11.5	35.0
22	0220	33	21.5	31.0	9.5	35.0	33.0	11.5	37.0
24	0240	35	23.5	33.0	9.5	38.0	35.0	11.5	39.0
25	0250	36	26.5	36.0	9.5	38.0	38.0	11.5	40.0
28	0280	40	26.5	37.5	11.0	42.0	38.0	11.5	43.0
30	0300	43	26.5	37.5	11.0	45.0	38.0	11.5	45.0
32	0320	46	28.5	39.5	11.0	48.0	40.0	11.5	48.0
33	0330	47	28.5	40.0	11.5	50.0	40.0	11.5	48.0
35	0350	49	28.5	40.0	11.5	52.0	40.0	11.5	50.0
38	0380	53	33.5	45.0	11.5	55.0	47.5	14.0	56.0
40	0400	56	36.0	47.5	11.5	58.0	50.0	14.0	58.0
43	0430	59	38.5	52.8	14.3	62.0	52.5	14.0	61.0
45	0450	61	39.5	53.8	14.3	64.0	53.5	14.0	63.0
48	0480	64	46.0	60.3	14.3	68.4	60.0	14.0	66.0
50	0500	66	45.0	59.3	14.3	69.3	60.0	15.0	70.0
53	0530	69	47.0	61.3	14.3	72.3	62.0	15.0	73.0
55	0550	71	49.0	64.3	15.3	75.4	64.0	15.0	75.0
58	0580	76	55.0	70.3	15.3	78.4	70.0	15.0	78.0
60	0600	78	55.0	70.3	15.3	80.4	70.0	15.0	80.0
63	0630	83	55.0	70.3	15.3	83.4	70.0	15.0	83.0
65	0650	84	55.0	70.3	15.3	85.4	70.0	15.0	85.0
68	0680	88	55.0	71.0	16.0	91.5	73.0	18.0	90.0
70	0700	90	57.0	72.3	15.3	92.0	75.0	18.0	92.0
75	0750	98	62.0	77.3	15.3	99.0	80.0	18.0	97.0
80	0800	100	61.8	78.1	16.3	104.0	80.0	18.2	105.0