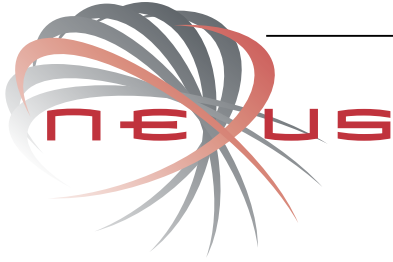


S57B/S58B/S59B

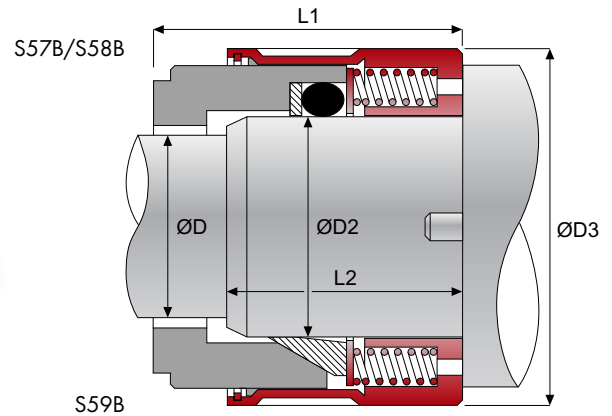


Materials

Rotary - Car, Sic, SSic, TC
 Elastomer S59B - PTFE
 Elastomer S57B/S58B - NBR, EPDM, Vit

Working Conditions

Pressure S59B < 50 bar
 S57B/S58B < 62 bar
 Speed < 25 m/s
 Temperature S59B up to 260 C
 S57B/S58B up to 205 C



Shaft Movement (S57B Only)

Axial ± 1.5mm (3mm Total)

Metric			ØD3	L1	L2
Seat ØD	Code	Rotary ØD2			
14	0140	18	32	30.5	24.5
16	0160	20	34	30.5	24.5
18	0180	22	36	31.5	25
20	0200	24	38	31.5	25
22	0220	26	40	31.5	25
24	0240	28	42	34.2	27.5
25	0250	30	44	34.5	27.5
28	0280	33	47	37.5	30
30	0300	35	49	38	30
32	0320	38	54	38	30
33	0330	38	54	38	30
35	0350	40	56	38	30
38	0380	43	59	39.5	29.5
40	0400	45	61	39.5	29.5
43	0430	48	64	39.5	29.5
45	0450	50	66	39.5	29.5
48	0480	53	69	39.5	29.5
50	0500	55	71	44	32.5
53	0530	58	78	44	32.5
55	0550	60	80	44	32.5
58	0580	63	83	49	37.5
60	0600	65	85	49	37.5
63	0630	68	88	49	37.5
65	0650	70	90	49	37.5
70	0700	75	95	55.5	42
75	0750	80	104	55.5	42
80	0800	85	109	55	42
85	0850	90	114	60	47
90	0900	95	119	60	47
95	0950	100	124	60	47
100	1000	105	129	60	47