



# S145+ ANSI LARGE BORE

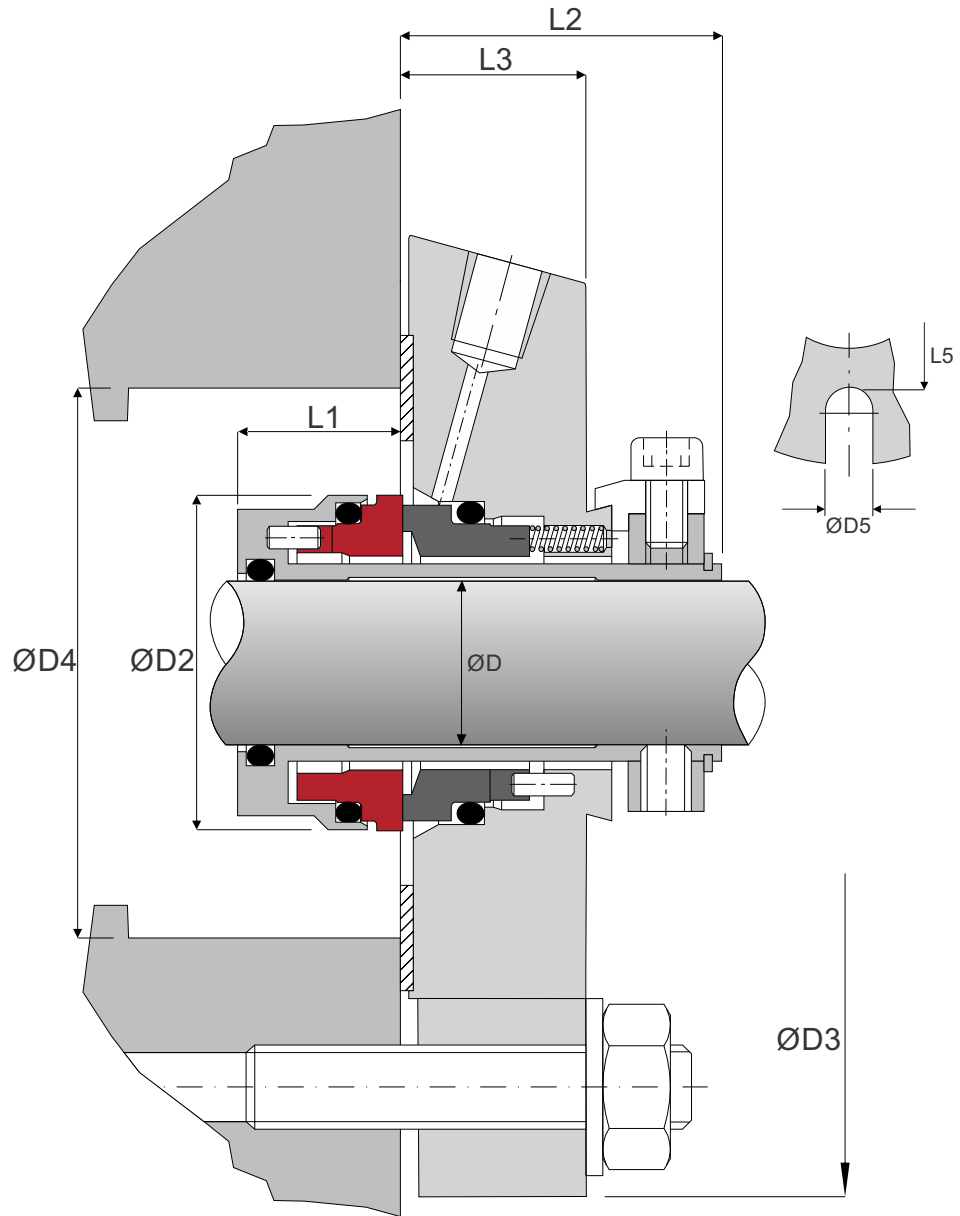
Single Cartridge Seal

## Materials

- Stationary - Car / SiC / SSiC / TC
- Rotary - SiC / SSiC / TC
- Elastomer - NBR / EPDM / Viton / Aflas / FFKM

## Working Conditions

- Pressure < 28 bar
- Speed < 25 m/s
- Temperature up to 205°C



Shaft Ø		ØD2	ØD3	ØD4 Min	ØD4 Max	ØD5	L1	L2	L3	L5
Inches	Metric									
1.125"	28	46.50	126	66.68	72.39	14	19.0	38	21.5	80
1.375"	35	53.50	135	73.03	78.74	14	19.0	38	21.5	86
1.750"	45	63.50	165	88.90	104.14	14	19.0	38	21.5	112
1.875"	48	66.50	165	92.08	104.14	14	19.0	38	21.5	112
2.125"	53	71.50	182	98.43	107.32	17	19.0	38	21.5	118
2.500"	-	81.50	203	114.30	129.54	17	19.0	38	21.5	137
2.625"	-	86.51	203	117.48	129.54	17	19.0	38	21.5	137
2.750"	70	88.50	203	117.48	129.54	17	19.0	38	21.5	137