



S1502

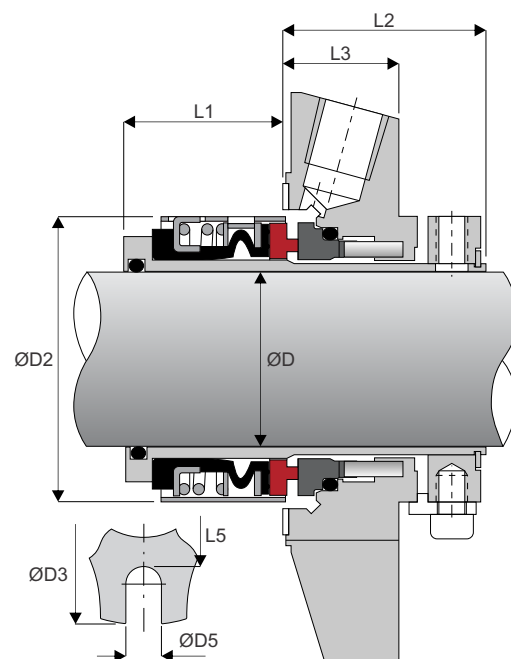
Single Cartridge Seal

Materials

- Stationary - Car / SiC / SSiC / TC
- Rotary - SiC / SSiC / TC
- Elastomer - NBR / EPDM / Viton
- Aflas / FFKM

Working Conditions

- Pressure < 28 bar
- Speed < 35 m/s
- Temperature up to 150°C



Shaft Ø		ØD2	ØD3	ØD5	L1	L2	L3	L5
Inches	Metric							
1.000"	24	44	105	12.5	33.7	38.0	21.5	62
	25							
1.125"	28	47	105	12.5	33.2	38.0	21.5	62
	30							
1.250"	32	54	105	12.5	33.2	38.0	21.5	67
	33							
1.375"	35	56	115	12.5	35.2	38.0	21.5	70
1.500"	38	59	125	14.7	35.2	38.0	21.5	75
	40							
1.625"	42	64	133	14.7	35.2	38.0	21.5	80
	43							
1.750"	45	66	140	14.7	37.2	38.0	21.5	71
1.875"	48	69	140	14.7	37.2	38.0	21.5	84
2.000"	50	71	140	14.7	37.2	38.0	21.5	86
2.125"	53	78	150	17.5	42.2	38.0	21.5	92
	55							
2.250"	58	83	160	17.5	41.9	38.0	21.5	100
2.375"	60	85	160	17.5	41.7	38.0	21.5	100
2.500"	63	88	165	17.5	42.2	38.0	21.5	109
2.625"	65	89	165	17.5	48.2	38.0	21.5	109
2.750"	68	96	165	17.5	49.2	38.0	21.5	109
	70							
2.875"	75	104	190	17.5	50.2	41.5	24.0	125
3.000"								
3.125"	80	108	190	17.5	50.7	41.5	24.0	130
3.250"	85	114	220	21.5	55.7	41.5	24.0	135
3.375"								
3.500"	90	118	220	21.5	55.7	41.5	24.0	140
3.625"	95	124	220	21.5	55.7	41.5	24.0	145
3.750"								