



# SFET

## Single Cartridge Seal

### Materials

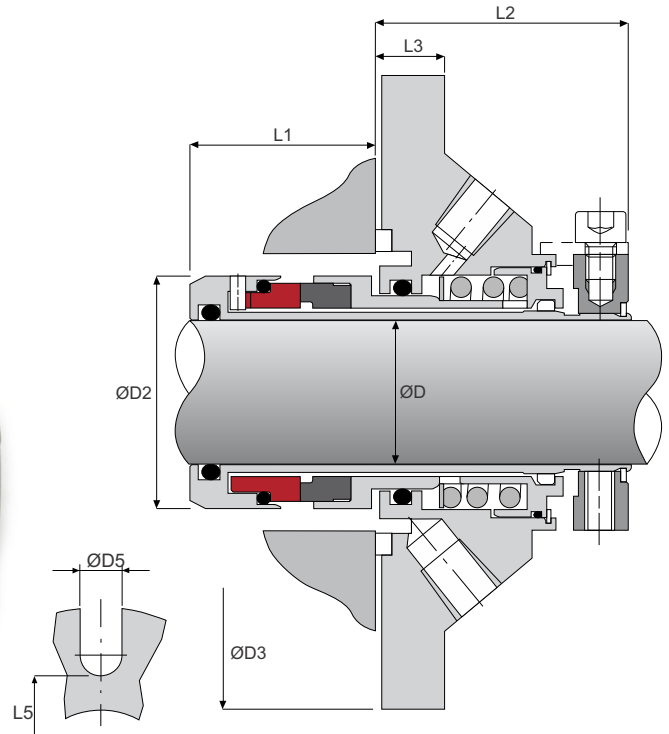
- Stationary - Car, SiC, SSiC, TC
- Rotary - SiC, SSiC, TC
- Elastomer - NBR / EPDM / Viton / Aflas / FFKM

### Working Conditions

- Pressure < 21 bar
- Speed < 25 m/s
- Temperature up to 205°C

### Features:

- Stationary Design
- Monolithic Faces
- Cushioned Faces
- Pressure balanced
- Springs outside the media
- Single spring
- Heavy duty drive



Metric		ØD2	ØD3	ØD5	L1	L2	L3	L5	S-Box Bore	
Shaft Ø	Code								Min	Max
25	0250	39.7	39.7	12.0	36	48.0	12	58.0	41.0	47.5
28	0280	42.7	42.7	12.0	36	48.0	12	61.0	44.0	50.5
30	0300	44.2	44.2	12.0	36	48.0	12	63.0	46.0	52.5
32	0320	46.2	46.2	12.0	36	48.0	12	65.0	48.0	54.5
33	0330	49.2	49.2	12.0	36	48.0	12	68.0	51.0	57.5
35	0350	49.2	49.2	12.0	36	48.0	12	68.0	51.0	57.5
38	0380	55.2	55.2	12.0	38	48.0	12	74.0	57.0	63.5
40	0400	58.2	58.2	14.0	38	48.0	12	76.5	60.0	66.5
43	0430	62.2	62.2	14.0	38	48.0	12	81.0	63.5	70.0
45	0450	62.2	62.2	14.0	38	48.0	12	81.0	63.5	70.0
48	0480	65.0	65.0	14.0	38	50.0	13	84.0	66.8	73.0
50	0500	68.2	68.2	14.0	38	50.0	13	87.0	70.0	76.5
53	0530	71.1	71.1	14.0	38	50.0	13	91.0	73.0	79.5
55	0550	71.1	71.1	14.0	38	50.0	13	91.0	73.0	79.5
60	0600	77.7	77.7	14.0	38	50.0	13	98.5	79.4	85.5
65	0650	87.9	87.9	17.5	44	57.0	13	111.5	90.0	96.5
70	0700	93.7	93.7	17.5	44	57.0	13	118.5	95.0	101.4
75	0750	99.9	99.9	17.5	44	57.0	13	125.0	101.6	108.0
80	0800	106.2	106.2	17.5	44	57.0	13	131.5	108.0	114.5
85	0850	109.0	109.0	17.5	46	60.5	13	138.0	111.0	124.0
90	0900	115.5	115.5	22.0	46	62.5	16	146.0	117.0	131.0
95	0950	118.5	118.5	22.0	46	62.5	16	146.0	120.5	131.0
100	1000	125.0	125.0	22.0	46	62.5	16	152.0	127.0	136.5