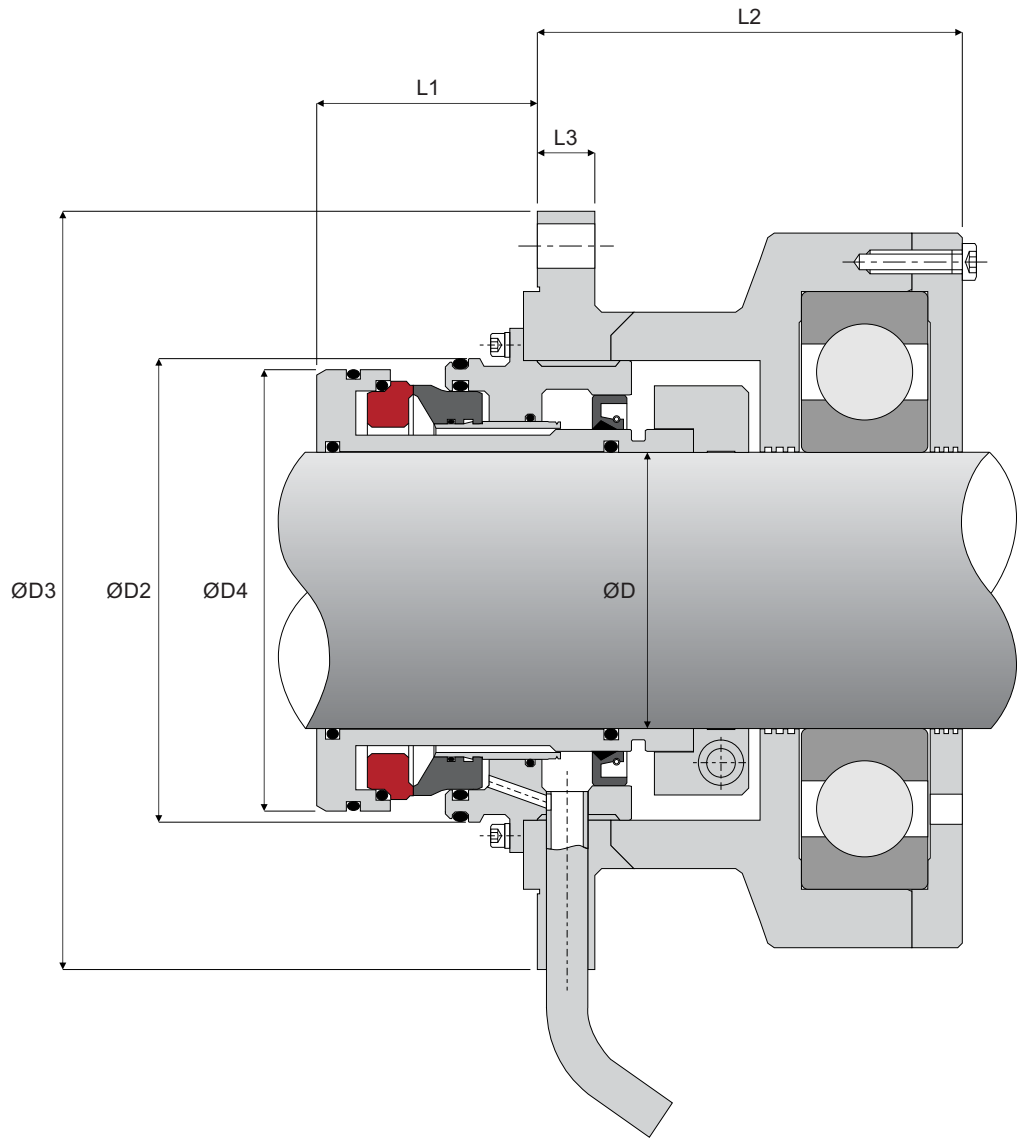
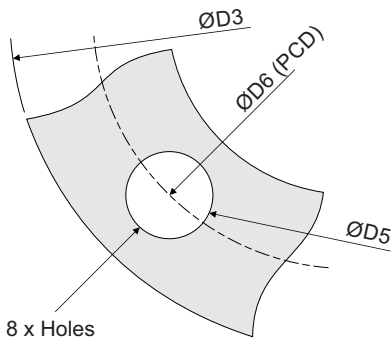


Materials

- Stationary - SSiC
- Rotary - SSiC
- Elastomer - Viton

Working Conditions

- Pressure ≤ 7 bar
- Speed ≤ 5 m/s
- Temperature up to 80°C



Size	ØD2	ØD3	ØD4	ØD5	ØD6	L1	L2	L3
0040	98	176	106,6	11	155	131	81	25
0060	133	240	144,6	18	210	137	92	25
0080	150	275	159,6	23	240	147	89	25
0100	172	305	181,6	23	270	166	92	25
0120	192	330	201,6	23	295	166	96	25