



S141

Single Cartridge Seal

Materials

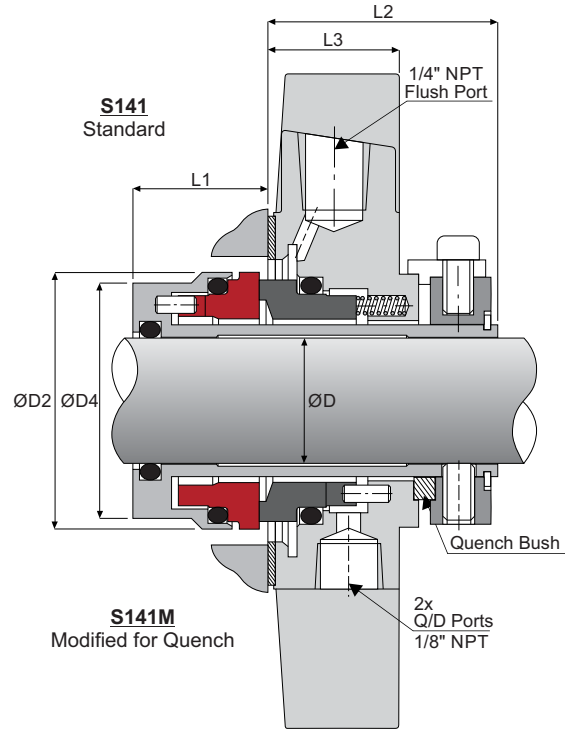
- Stationary - Car / SiC / SSiC / TC
- Rotary - SiC / SSiC / TC
- Elastomer - NBR / EPDM / Viton / Aflas / FFKM

Working Conditions

- Pressure < 28 bar
- Speed < 25 m/s
- Temperature up to 205°C

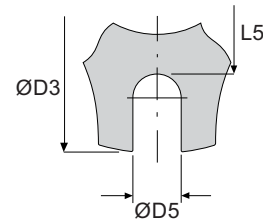
Features:

- Stationary Design
- Monolithic Faces
- Cushioned Faces
- Pressure balanced
- Springs outside the media

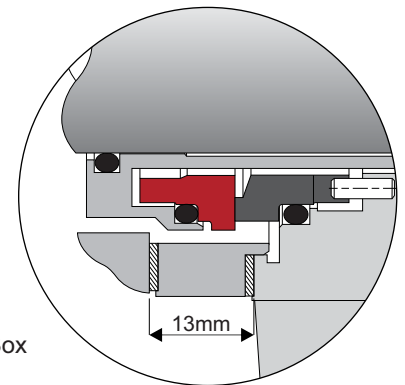


Inches ØD	Metric ØD	ØD2	ØD3	ØD4	ØD5	L1	L2	L3	L5	ØD2 S171
1.000"	24	43.5	105	40.10	12.5	19.0	38	21.5	62	40.3
	25	43.5	105	40.10	12.5	19.0	38	21.5	62	40.3
1.125"	28	46.5	105	43.10	12.5	19.0	38	21.5	62	43.5
	30	48.5	105	45.10	12.5	19.0	38	21.5	65	46.6
1.250"	32	50.0	105	47.10	12.5	19.0	38	21.5	67	49.8
	33	50.0	105	47.10	12.5	19.0	38	21.5	67	49.8
1.375"	35	53.5	115	50.10	12.5	19.0	38	21.5	70	
1.500"	38	56.5	125	53.10	14.7	19.0	38	21.5	75	
	40	58.5	125	55.10	14.7	19.0	38	21.5	75	
1.625"		60.5	133	57.10	14.7	19.0	38	21.5	80	
		43	61.5	133	58.10	14.7	19.0	38	80	
1.750"	45	63.5	140	60.10	14.7	19.0	38	21.5	81	
1.875"	48	66.5	140	63.10	14.7	19.0	38	21.5	84	
2.000"	50	68.5	140	65.10	14.7	19.0	38	21.5	86	
2.125"	53	71.5	150	68.10	17.5	19.0	38	21.5	92	
		55	73.5	150	70.10	17.5	19.0	38	92	
2.250"		76.5	160	73.10	17.5	19.0	38	21.5	95	
2.375"	60	78.5	160	75.10	17.5	19.0	38	21.5	100	
2.500"		81.5	165	78.10	17.5	19.0	38	21.5	103	
		65	83.5	165	80.10	17.5	19.0	38	105	
2.625"		86.5	165	83.10	17.5	19.0	38	21.5	110	

Gasket Sizes
 ID = ØD2 + 2.5mm
 OD = L5 - 1.5mm



S141S
 Small Bore
 ANSI Stuffing Box



*S171 for small stuffing box cross sections shaft ØD 1.000"-1.375"