

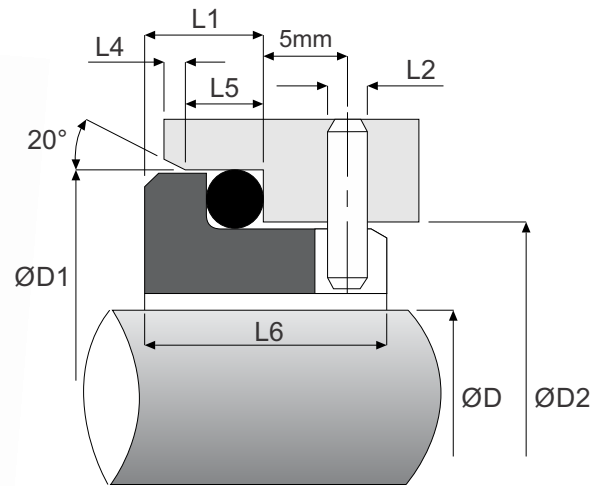


# SS16 / SS46

Stationary Seats

## Materials

Stationary - Cer, Sic Ssic, TC  
 Elastomer - NBR, EPDM, Viton, PTFE



Shaft ØD	ØD1	ØD2	SS16		SS46		L2	L4	L5
			L1	L6	L1	L6			
18	33	27	7.0	15.0	9.0	17.0	3	1.5	5
20	35	29	7.0	15.0	9.0	17.0	3	1.5	5
22	37	31	7.0	15.0	9.0	17.0	3	1.5	5
24	39	33	7.0	15.0	9.0	17.0	3	1.5	5
25	40	34	7.0	15.0	9.0	17.0	3	1.5	5
28	43	37	7.0	15.0	9.5	17.5	3	1.5	5
30	45	39	7.0	15.0	9.5	17.5	3	1.5	5
32	48	42	7.0	15.0	9.5	17.5	3	1.5	5
33	48	42	7.0	15.0	9.5	17.5	3	1.5	5
35	50	44	7.0	15.0	9.5	17.5	3	1.5	5
38	56	49	8.0	16.0	10.5	18.5	4	1.5	6
40	58	51	8.0	16.0	10.5	18.5	4	1.5	6
43	61	54	8.0	16.0	10.5	18.5	4	1.5	6
45	63	56	8.0	16.0	10.5	18.5	4	2.0	6
48	66	59	8.0	16.0	10.5	18.5	4	2.0	6
50	70	62	9.5	17.0	12.0	19.5	4	2.0	6
53	73	65	9.5	17.0	12.0	19.5	4	2.0	6
55	75	67	9.5	17.0	12.0	19.5	4	2.0	6
58	78	70	10.5	18.0	13.0	20.5	4	2.0	6
60	80	72	10.5	18.0	13.0	20.5	4	2.0	6
65	85	77	10.5	18.0	13.0	20.5	4	2.0	6
68	90	81	11.0	18.5	13.5	21.0	4	2.0	7
70	92	83	11.5	19.0	14.0	21.5	4	2.0	7
75	97	88	11.5	19.0	14.0	21.5	4	2.0	7
80	105	95	11.5	19.0	14.0	21.5	4	2.0	7
85	110	100	11.5	19.0	14.0	21.5	4	2.0	7
90	115	105	13.0	20.5	15.5	23.0	4	2.0	7
95	120	110	13.0	20.5	15.5	23.0	4	2.0	7
100	125	115	13.0	20.5	15.5	23.0	4	2.0	7