

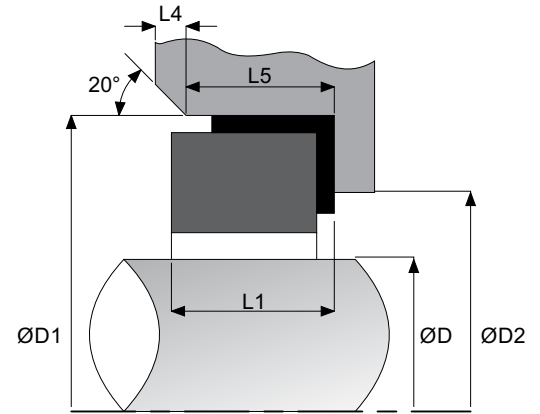


SS60 / SS66

Stationary Seat

Materials

- Stationary - Cer, Sic, SSic, TC, ChrStl
- Elastomer - NBR, EPDM, Viton



Shaft ØD	ØD1	ØD2	L1		L4	L5
			SS60	SS66		
12	23	19	6.6	8.6	1.5	4
14	25	21	6.6	8.6	1.5	4
16	27	23	6.6	8.6	1.5	4
18	33	27	7.5	10.0	2.0	5
20	35	29	7.5	10.0	2.0	5
22	37	31	7.5	10.0	2.0	5
24	39	33	7.5	10.0	2.0	5
25	40	34	7.5	10.0	2.0	5
28	43	37	7.5	10.0	2.0	5
30	45	39	7.5	10.0	2.0	5
32	48	42	7.5	10.0	2.0	5
33	48	42	7.5	10.0	2.0	5
35	50	44	7.5	10.0	2.0	5
38	56	49	9.0	11.0	2.0	6
40	58	51	9.0	11.0	2.0	6
43	61	54	9.0	11.0	2.0	6
45	63	56	9.0	11.0	2.0	6
48	66	59	9.0	11.0	2.0	6
50	70	62	9.5	13.0	2.5	6
53	73	65	11.0	13.0	2.5	6
55	75	67	11.0	13.0	2.5	6
58	78	70	11.0	13.0	2.5	6
60	80	72	11.0	13.0	2.5	6
63	83	75	11.0	13.0	2.5	6
65	85	77	11.0	13.0	2.5	6
68	90	81	11.3	15.3	2.5	7
70	92	83	11.3	15.3	2.5	7
75	97	88	11.3	15.3	2.5	7
80	105	95	12.0	15.7	3.0	7
85	110	100	14.0	15.7	3.0	7
90	115	105	14.0	15.7	3.0	7
95	120	110	14.0	15.7	3.0	7
100	125	115	14.0	15.7	3.0	7