

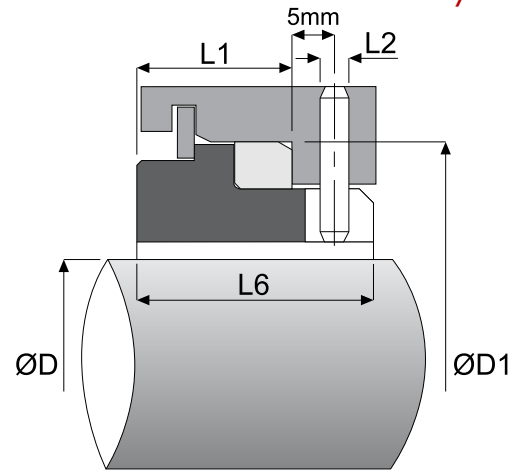


SSBD

Stationary Seat

Materials

- Stationary - Sic, SSic, TC
- Elastomer - PTFE, Graphite



Shaft ØD	ØD1	L1	L2	L6
20	35	13.5	3	20.5
22	37	13.5	3	20.5
24	39	13.5	3	20.3
25	40	13.0	3	20.0
28	43	12.5	3	19.5
30	45	12.0	3	19.0
32	48	12.0	3	19.0
33	48	12.0	3	19.0
35	50	12.0	3	19.0
38	56	13.0	4	20.0
40	58	13.0	4	20.0
43	61	13.0	4	20.0
45	63	13.0	4	20.0
48	66	13.0	4	20.0
50	70	13.5	4	20.5
53	73	13.5	4	20.5
55	75	13.5	4	20.5
58	78	13.5	4	20.5
60	80	13.5	4	20.5
63	83	13.5	4	20.5
65	85	13.5	4	20.5
68	90	13.5	4	20.5
70	92	14.5	4	21.5
75	97	14.5	4	21.5
80	105	15.0	4	22.0
85	110	15.0	4	22.0
90	115	15.0	4	22.0
95	120	15.0	4	22.0
100	125	15.0	4	22.0