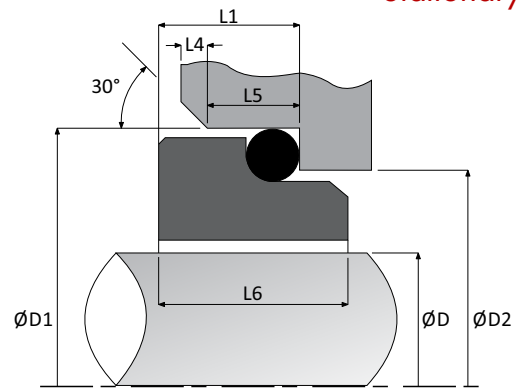




SSBO / SSDS

Stationary Seats



Materials

- Stationary - Cer, Sic, SSic, TC
- Elastomer - NBR, EPDM, Viton

Shaft $\varnothing D$	$\varnothing D1$	$\varnothing D2$	L1		L6		L4	L5
			SSBO	SSDS	SSBO	SSDS		
10	21	-	-	10.0	-	10.0	1.2	3.8
12	23	-	-	10.0	12.8	10.0	1.2	3.8
14	25	21	12.0	10.0	12.8	10.0	1.2	3.8
16	27	23	12.0	10.0	12.8	10.0	1.5	3.8
18	33	27	13.5	11.5	14.5	11.5	1.5	5.0
20	35	29	13.5	11.5	14.5	11.5	1.5	5.0
22	37	31	13.5	11.5	14.5	11.5	1.5	5.0
24	39	33	13.3	11.5	14.3	11.5	1.5	5.0
25	40	34	13.0	11.5	14.0	11.5	1.5	5.0
28	43	37	12.5	11.5	13.5	11.5	1.5	5.0
30	45	39	12.0	11.5	13.0	11.5	1.5	5.0
32	48	42	12.0	11.5	13.0	11.5	1.5	5.0
33	48	42	12.0	11.5	13.0	11.5	1.5	5.0
35	50	44	12.0	11.5	13.0	11.5	1.5	5.0
38	56	49	13.0	12.5	14.0	12.5	1.5	5.0
40	58	51	13.0	12.5	14.0	12.5	1.5	5.0
43	61	54	13.0	12.5	14.0	12.5	2.0	6.0
45	63	56	13.0	12.5	14.0	12.5	2.0	6.0
48	66	59	13.0	12.5	14.0	12.5	2.0	6.0
50	70	62	13.5	14.5	14.5	14.5	2.0	6.0
53	73	65	13.5	14.5	14.5	14.5	2.0	6.0
55	75	67	13.5	14.5	14.5	14.5	2.0	6.0
58	78	70	13.5	14.5	14.2	14.5	2.0	6.0
60	80	72	13.5	14.5	14.2	14.5	2.0	6.0
63	83	75	13.5	14.5	14.2	14.5	2.0	6.0
65	85	77	13.5	14.5	14.2	14.5	2.0	6.0
68	90	81	13.5	16.5	14.2	16.5	2.0	6.0
70	92	83	14.5	16.5	15.2	16.5	2.0	6.0
75	97	88	14.5	16.5	15.2	16.5	2.0	6.0
80	105	95	15.0	17.5	15.7	17.5	2.0	6.0
85	110	100	15.0	17.5	15.7	17.5	2.0	6.0
90	115	105	15.0	17.5	15.7	17.5	2.0	6.0
95	120	110	15.0	17.5	15.7	17.5	2.0	6.0
100	125	115	15.0	17.5	15.7	17.5	2.0	6.0