



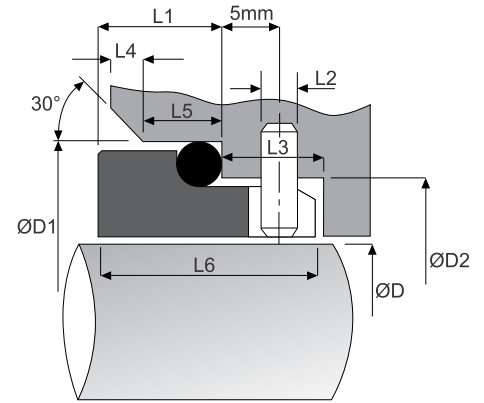
SSBP / SSDL

Stationary Seat

Materials

Stationary
Elastomer

- Cer / Sic / SSic / TC
- NBR / EPDM / Viton / PTFE



Shaft ØD	ØD1	ØD2	L1		L2		L3	L4	L5	L6	
			SSBP	SSDL	SSBP	SSDL				SSBP	SSDL
10	21	-	-	8.6	-	4.0	8.5	1.2	4	-	15
12	23	-	-	8.6	-	5.0	8.5	1.2	4	-	15
14	25	21	12.0	8.6	2.5	5.0	9.0	1.5	5	18.5	15
16	27	23	12.0	8.6	2.5	5.0	9.0	1.5	5	18.5	15
18	33	27	13.5	10.0	3.0	5.5	9.0	1.5	5	20.5	17
20	35	29	13.5	10.0	3.0	5.5	9.0	1.5	5	20.5	17
22	37	31	13.5	10.0	3.0	5.5	9.0	1.5	5	20.5	17
24	39	33	13.3	10.0	3.0	5.5	9.0	1.5	5	20.3	17
25	40	34	13.0	10.0	3.0	5.5	9.0	1.5	5	20.0	17
28	43	37	12.5	10.0	3.0	5.5	9.0	1.5	5	19.5	17
30	45	39	12.0	10.0	3.0	5.5	9.0	1.5	5	19.0	17
32	48	42	12.0	10.0	3.0	5.5	9.0	1.5	5	19.0	17
33	48	42	12.0	10.0	3.0	5.5	9.0	1.5	5	19.0	17
35	50	44	12.0	10.0	3.0	5.5	9.0	1.5	5	19.0	17
38	56	49	13.0	11.0	4.0	5.5	9.0	1.5	6	20.0	18
40	58	51	13.0	11.0	4.0	5.5	9.0	1.5	6	20.0	18
43	61	54	13.0	11.0	4.0	5.5	9.0	1.5	6	20.0	18
45	63	56	13.0	11.0	4.0	5.5	9.0	2.0	6	20.0	18
48	66	59	13.0	11.0	4.0	5.5	9.0	2.0	6	20.0	18
50	70	62	13.5	13.0	4.0	5.5	9.0	2.0	6	20.5	20
53	73	65	13.5	13.0	4.0	5.5	9.0	2.0	6	20.5	20
55	75	67	13.5	13.0	4.0	5.5	9.0	2.0	6	20.5	20
58	78	70	13.5	13.0	4.0	5.5	9.0	2.0	6	20.5	20
60	80	72	13.5	13.0	4.0	5.5	9.0	2.0	6	20.5	20
63	83	75	13.5	13.0	4.0	5.5	9.0	2.0	6	20.5	20
65	85	77	13.5	13.0	4.0	5.5	9.0	2.0	6	20.5	20
68	90	81	13.5	15.3	4.0	5.5	9.0	2.0	7	20.5	22
70	92	83	14.5	15.3	4.0	5.5	9.0	2.0	7	21.5	22
75	97	88	14.5	15.3	4.0	5.5	9.0	2.0	7	21.5	22
80	105	95	15.0	15.7	4.0	5.5	9.0	2.0	7	22.0	23
85	110	100	15.0	15.7	4.0	5.5	9.0	2.0	7	22.0	23
90	115	105	15.0	15.7	4.0	5.5	9.0	2.0	7	22.0	23
95	120	110	15.0	15.7	4.0	5.5	9.0	2.0	7	22.0	23
100	125	115	15.0	15.7	4.0	5.5	9.0	2.0	7	22.0	23