

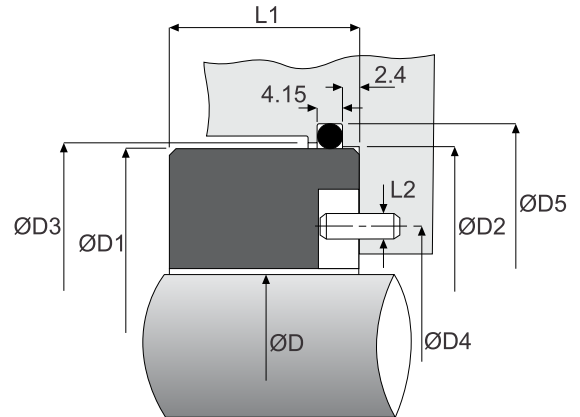


SSPG

Stationary Seat

Materials
Stationary
Elastomer

- Cer / Sic / SSic / TC
- NBR / EPDM / Viton / PTFE



| Shaft ØD | ØD1 | ØD2 | ØD3 | ØD4 | ØD5 | L1 | L2 |
|----------|--------|--------|--------|--------|--------|-------|----|
| Imperial | | | | | | | |
| 12.7 | 25.40 | 25.60 | 27.40 | 16.79 | 31.52 | 7.92 | 2 |
| 15.8 | 31.75 | 31.95 | 33.75 | 23.09 | 37.87 | 10.31 | 2 |
| 19.1 | 34.93 | 35.13 | 36.93 | 26.29 | 41.05 | 10.31 | 2 |
| 22.2 | 38.10 | 38.30 | 40.10 | 29.49 | 44.22 | 10.31 | 2 |
| 25.4 | 41.28 | 41.48 | 43.28 | 32.69 | 47.40 | 11.10 | 2 |
| 28.6 | 44.45 | 44.65 | 46.45 | 35.10 | 50.57 | 11.10 | 3 |
| 31.7 | 47.63 | 47.83 | 49.63 | 38.40 | 53.75 | 11.10 | 3 |
| 34.9 | 50.80 | 51.00 | 52.80 | 41.61 | 56.92 | 11.10 | 3 |
| 36.5 | 53.98 | 54.18 | 55.98 | 44.81 | 60.10 | 11.10 | 3 |
| 38.1 | 53.98 | 54.18 | 55.98 | 44.81 | 60.10 | 11.10 | 3 |
| 41.2 | 60.33 | 60.53 | 62.33 | 49.58 | 66.45 | 12.70 | 3 |
| 42.8 | 66.68 | 66.88 | 68.68 | 56.03 | 72.80 | 12.70 | 3 |
| 44.4 | 63.50 | 63.70 | 65.50 | 54.31 | 69.62 | 12.70 | 3 |
| 47.6 | 66.68 | 66.88 | 68.68 | 56.03 | 72.80 | 12.70 | 3 |
| 50.8 | 69.85 | 70.05 | 71.85 | 60.71 | 75.97 | 12.70 | 3 |
| 53.9 | 76.20 | 76.40 | 78.20 | 62.79 | 82.32 | 14.27 | 3 |
| 57.1 | 79.38 | 79.58 | 81.38 | 65.99 | 85.50 | 14.27 | 3 |
| 60.3 | 82.55 | 82.75 | 84.55 | 69.19 | 88.67 | 14.27 | 3 |
| 61.9 | 85.73 | 85.93 | 87.73 | 70.79 | 91.85 | 14.27 | 3 |
| 63.5 | 85.73 | 85.93 | 87.73 | 72.44 | 91.85 | 14.27 | 3 |
| 66.6 | 85.73 | 85.93 | 87.73 | 76.99 | 91.85 | 15.88 | 3 |
| 69.8 | 88.90 | 89.10 | 90.90 | 78.84 | 95.02 | 15.88 | 3 |
| 72.0 | 92.08 | 92.28 | 94.08 | 82.60 | 98.20 | 15.88 | 3 |
| 73.0 | 95.25 | 95.45 | 97.25 | 85.09 | 101.37 | 15.88 | 3 |
| 76.2 | 98.43 | 98.63 | 100.43 | 86.79 | 104.55 | 15.88 | 3 |
| 79.3 | 101.60 | 101.80 | 103.60 | 90.02 | 107.72 | 19.84 | 3 |
| 82.5 | 104.78 | 104.98 | 106.78 | 94.69 | 110.90 | 19.84 | 3 |
| 85.7 | 107.95 | 108.15 | 109.95 | 97.89 | 114.07 | 19.84 | 3 |
| 87.3 | 111.13 | 111.33 | 113.13 | 101.09 | 117.25 | 19.84 | 3 |
| 88.9 | 111.13 | 111.33 | 113.13 | 101.09 | 117.25 | 19.84 | 3 |
| 90.4 | 114.30 | 114.50 | 116.30 | 104.34 | 120.42 | 19.84 | 3 |
| 92.1 | 114.30 | 114.50 | 116.30 | 104.34 | 120.42 | 19.84 | 3 |
| 93.6 | 117.48 | 117.68 | 119.48 | 107.49 | 123.60 | 19.84 | 3 |
| 95.2 | 117.48 | 117.68 | 119.48 | 108.25 | 123.60 | 19.84 | 3 |
| 96.8 | 120.65 | 120.85 | 122.65 | 110.74 | 126.77 | 19.84 | 3 |
| 98.4 | 120.65 | 120.85 | 122.65 | 110.74 | 126.77 | 19.84 | 3 |
| 99.9 | 123.83 | 124.03 | 125.83 | 110.74 | 129.95 | 19.84 | 3 |
| 101.6 | 123.83 | 124.03 | 125.83 | 113.94 | 129.95 | 19.84 | 3 |
| 108.0 | 133.35 | 133.55 | 135.35 | 118.70 | 139.47 | 19.84 | 4 |
| 127.0 | 152.40 | 152.60 | 154.40 | 141.10 | 158.52 | 19.84 | 4 |