



S145

Single Cartridge seal

Materials

- Stationary - Car / SiC / SSiC / TC
- Rotary - SiC / SSiC / TC
- Elastomer - Aflas / EPDM / FFKM / Viton

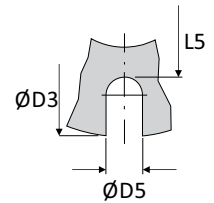
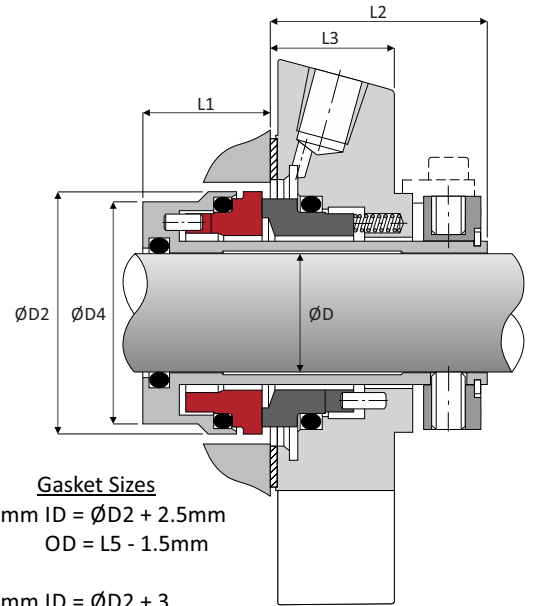
Working Conditions

- Pressure < 28 bar
- Speed < 35 m/s
- Temperature up to 205°C*

*Material Dependant

Features:

- Stationary Design
- Monolithic Faces
- Cushioned Faces
- Pressure Balanced
- Springs outside the media



Shaft Ø		ØD2	ØD3	ØD4	ØD5	L1	L2	L3	L5
Inches	Metric								
1.000"	24	43.5	104	40.1	12.5	19.0	38.0	21.5	62
	25	43.5	104	40.1	12.5	19.0	38.0	21.5	62
1.125"	28	46.5	104	43.1	12.5	19.0	38.0	21.5	62
	30	48.5	104	45.1	12.5	19.0	38.0	21.5	65
1.250"	32	50.0	104	47.1	12.5	19.0	38.0	21.5	67
	33	50.0	104	47.1	12.5	19.0	38.0	21.5	67
1.375"	35	53.5	110	50.1	12.5	19.0	38.0	21.5	70
1.500"	38	56.5	125	53.1	14.7	19.0	38.0	21.5	75
	40	58.5	125	55.1	14.7	19.0	38.0	21.5	75
1.625"	-	60.5	133	57.1	14.7	19.0	38.0	21.5	80
	43	61.5	133	58.1	14.7	19.0	38.0	21.5	80
1.750"	45	63.5	140	60.1	14.7	19.0	38.0	21.5	81
1.875"	48	66.5	140	63.1	14.7	19.0	38.0	21.5	84
2.000"	50	68.5	140	65.1	14.7	19.0	38.0	21.5	87
2.125"	53	71.5	150	68.1	17.5	19.0	38.0	21.5	90
	55	73.5	150	70.1	17.5	19.0	38.0	21.5	92
2.250"	-	76.5	160	73.1	17.5	19.0	38.0	21.5	95
	60	78.5	160	75.1	17.5	19.0	38.0	21.5	100
2.500"	-	81.5	170	78.1	17.5	19.0	38.0	21.5	103
	65	83.5	165	80.1	17.5	19.0	38.0	21.5	105
2.625"	-	86.5	180	83.1	17.5	19.0	38.0	21.5	110
2.750"	70	88.5	180	85.1	17.5	19.0	38.0	21.5	120
2.875"	-	98.0	190	98.0	17.5	20.5	41.5	24.0	123
3.000"	75	100.0	190	100.0	17.5	20.5	41.5	24.0	125
3.125"	-	105.0	190	105.0	17.5	20.5	41.5	24.0	130
	80	105.0	190	105.0	17.5	20.5	41.5	24.0	130
3.250"	-	108.0	220	108.0	17.5	20.5	41.5	24.0	133
3.375"	85	110.0	220	110.0	21.5	20.5	41.5	24.0	135
3.500"	90	115.0	220	115.0	21.5	20.5	41.5	24.0	140
3.625"	-	117.0	220	117.0	21.5	20.5	41.5	24.0	142
3.750"	95	120.0	220	120.0	21.5	20.5	41.5	24.0	145
3.875"	100	125.0	220	125.0	21.5	20.5	41.5	24.0	145
		125.0	220	125.0	21.5	20.5	41.5	24.0	150
4.125"	105	130.0	240	130.0	21.5	20.5	43.5	30.0	170
4.250"	110	135.0	240	135.0	21.5	20.5	43.5	30.0	170
4.375"	110	135.0	240	135.0	21.5	20.5	43.5	30.0	170
4.500"	115	140.0	250	140.0	21.5	20.5	43.5	30.0	180
4.625"	120	145.0	250	145.0	21.5	20.5	43.5	30.0	180
4.750"	120	145.0	250	145.0	21.5	20.5	43.5	30.0	180
4.875"	125	150.0	250	150.0	21.5	20.5	43.5	30.0	180
5.000"	130	155.0	260	155.0	21.5	20.5	43.5	30.0	190

