



AHLSTAR

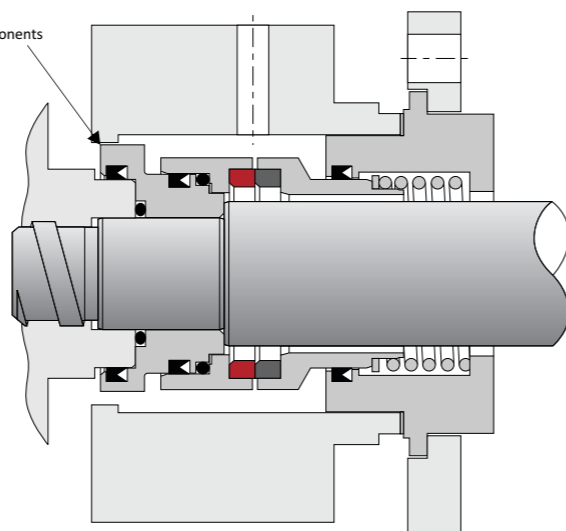
SE1AP

- Single Seal
- Tried and trusted components



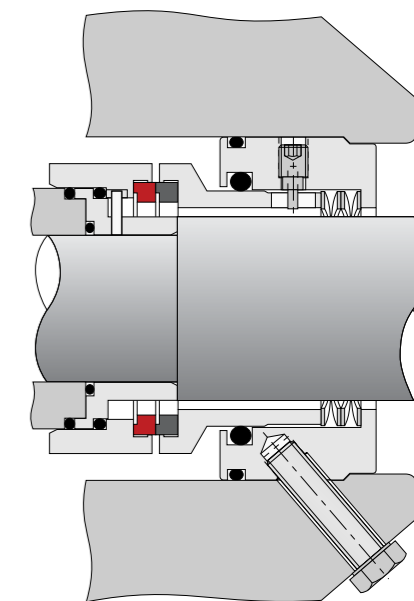
SE1APF

- Single Seal
- Tried and trusted components
- Flush Port



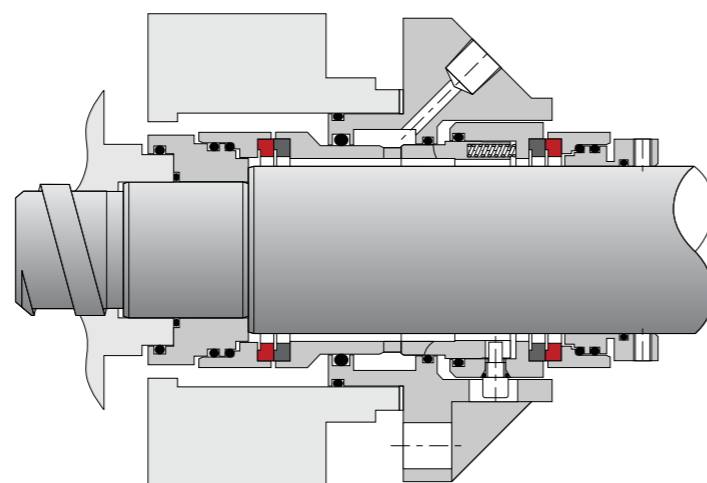
SJCS1

- Single Seal
- $\pm 2.5\text{mm}$ Axial Movement
- Tried and Trusted Components



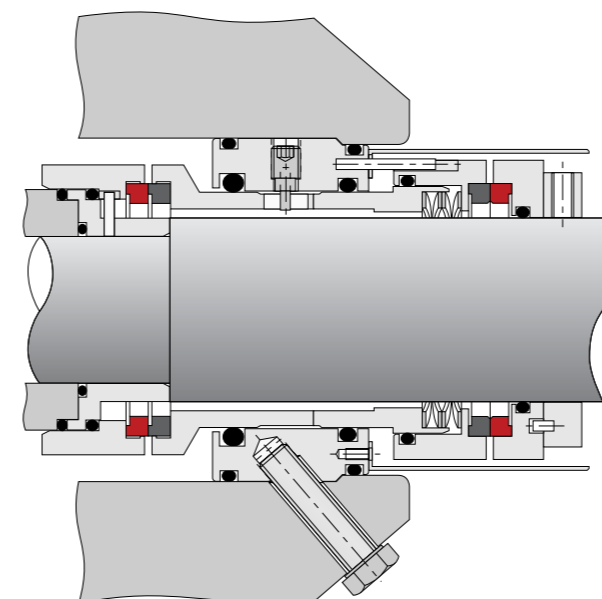
SE2AP

- Double Seal
- Tried and trusted components



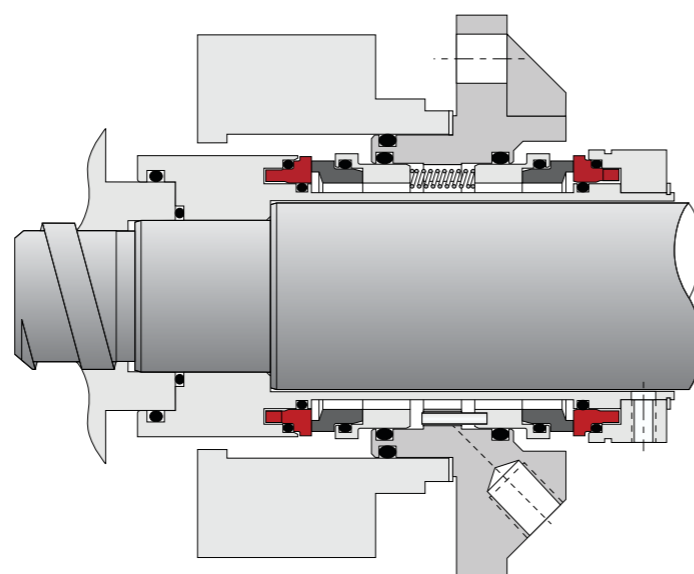
SJCS2

- Double Seal
- $\pm 2.5\text{mm}$ Axial Movement
- Tried and Trusted Components



S2APP

- Double Seal
- Stationary Cartridge Design
- $\pm 2.5\text{mm}$ Axial Movement
- Monolithic Faces
- Double Pressure Balanced
- Narrow Face Design
- Easy to Install



S2AUP

- Double Seal
- Stationary Cartridge Design
- $\pm 2.5\text{mm}$ Axial Movement
- Monolithic Faces
- Double Pressure Balanced
- Narrow Face Design

