

### Materials

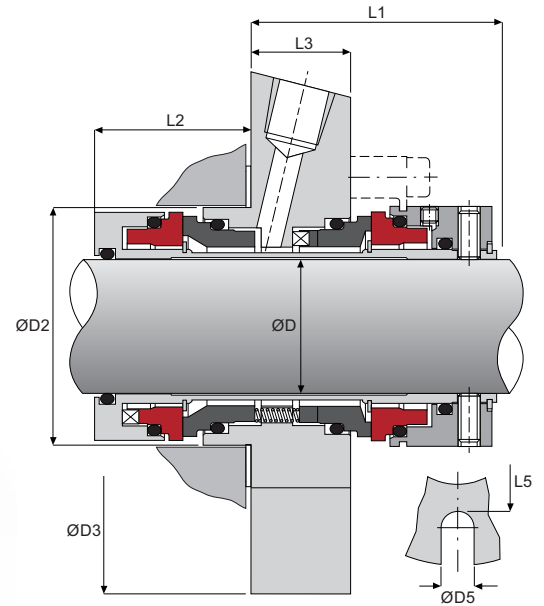
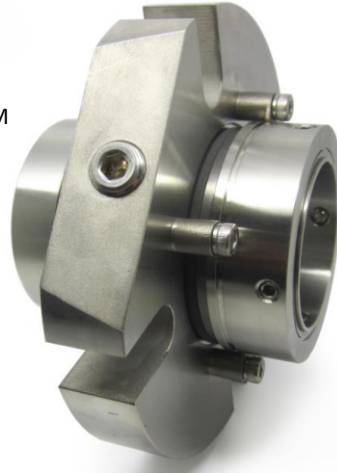
|            |                                     |
|------------|-------------------------------------|
| Stationary | - Car / SiC / SSiC / TC             |
| Rotary     | - SiC / SSiC / TC                   |
| Elastomer  | - NBR / EPDM / Viton / Aflas / FFKM |

### Working Conditions

|                   |          |
|-------------------|----------|
| Pressure          | ≤ 28 bar |
| Speed             | ≤ 25 m/s |
| Temperature up to | 205°C    |

### Features

- Stationary Design
- Monolithic Faces
- Cushioned faces
- Double Pressure Balanced
- Springs outside of the media
- Full pressure reversal capability
- Manual venting for installation
- Bi-Directional Pumping Device



### Shaft Movement

- Rad - ± 0.75mm  
(1.5mm Total)
- Axial - ± 1.5mm  
(3mm Total)

| Shaft Ø |        | ØD2   | ØD3 | ØD5  | L1   | L2   | L3   | L5  |
|---------|--------|-------|-----|------|------|------|------|-----|
| Inches  | Metric |       |     |      |      |      |      |     |
| 1.000   | 24     | 45.7  | 105 | 13.0 | 56.0 | 33.0 | 24.5 | 60  |
|         | 25     | 45.7  | 105 | 13.0 | 56.0 | 33.0 | 24.5 | 60  |
| 1.875   | 28     | 48.7  | 105 | 13.0 | 56.0 | 33.0 | 24.5 | 60  |
|         | 30     | 50.7  | 115 | 13.0 | 56.0 | 33.0 | 24.5 | 67  |
| 1.250   | 32     | 52.7  | 115 | 13.0 | 56.0 | 33.0 | 24.5 | 67  |
|         | 33     | 53.7  | 115 | 13.0 | 56.0 | 33.0 | 24.5 | 67  |
| 1.375   | 35     | 55.7  | 115 | 13.0 | 56.0 | 33.0 | 24.5 | 67  |
|         | 38     | 58.7  | 130 | 15.0 | 56.0 | 33.0 | 24.5 | 75  |
| 1.500   | 40     | 60.7  | 130 | 15.0 | 56.0 | 33.0 | 24.5 | 75  |
|         | 42     | 62.7  | 140 | 15.0 | 56.0 | 33.0 | 24.5 | 82  |
| 1.625   | 43     | 63.7  | 140 | 15.0 | 56.0 | 33.0 | 24.5 | 82  |
|         | 45     | 65.7  | 140 | 15.0 | 56.0 | 33.0 | 24.5 | 82  |
| 1.750   | 48     | 68.7  | 140 | 15.0 | 56.0 | 33.0 | 24.5 | 82  |
|         | 50     | 70.7  | 140 | 15.0 | 56.0 | 33.0 | 24.5 | 82  |
| 2.000   | 53     | 73.7  | 150 | 18.0 | 56.0 | 33.0 | 24.5 | 92  |
|         | 55     | 75.7  | 150 | 18.0 | 56.0 | 33.0 | 24.5 | 92  |
| 2.125   | 57.7   | 77.7  | 150 | 18.0 | 56.0 | 33.0 | 24.5 | 92  |
|         | 60     | 80.7  | 160 | 18.0 | 56.0 | 33.0 | 24.5 | 100 |
| 2.375   | 63     | 83.7  | 160 | 18.0 | 56.0 | 33.0 | 24.5 | 100 |
|         | 65     | 85.7  | 160 | 18.0 | 56.0 | 33.0 | 24.5 | 100 |
| 2.500   | 67.7   | 87.7  | 180 | 18.0 | 56.0 | 33.0 | 24.5 | 112 |
|         | 70     | 90.7  | 180 | 18.0 | 56.0 | 33.0 | 24.5 | 112 |
| 2.875   | 72.8   | 100.8 | 190 | 18.0 | 56.6 | 38.6 | 28.0 | 123 |
|         | 75     | 102.8 | 190 | 18.0 | 58.4 | 38.6 | 25.5 | 125 |
| 3.000   | 77.8   | 107.8 | 190 | 18.0 | 58.4 | 38.6 | 25.5 | 130 |
|         | 80     | 110.8 | 190 | 17.5 | 56.6 | 38.6 | 25.5 | 133 |
| 3.250   | 82.8   | 112.8 | 220 | 22.0 | 58.4 | 38.6 | 25.5 | 135 |
|         | 85     | 117.8 | 220 | 22.0 | 56.6 | 38.6 | 25.5 | 140 |
| 3.500   | 87.8   | 117.8 | 220 | 22.0 | 58.4 | 38.6 | 25.5 | 140 |
|         | 90     | 119.8 | 220 | 22.0 | 56.6 | 38.6 | 25.5 | 142 |
| 3.625   | 92.8   | 122.8 | 220 | 22.0 | 58.4 | 38.6 | 25.5 | 145 |
|         | 95     | 122.8 | 220 | 22.0 | 56.6 | 38.6 | 25.5 | 145 |
| 3.750   | 97.8   | 127.8 | 220 | 22.0 | 56.6 | 38.6 | 25.5 | 150 |
|         | 100    | 127.8 | 220 | 22.0 | 58.4 | 38.6 | 25.5 | 150 |
| 4.000   | 102.8  | 127.8 | 220 | 22.0 | 56.6 | 38.6 | 25.5 | 150 |
|         | 105    | 127.8 | 220 | 22.0 | 56.6 | 38.6 | 25.5 | 150 |