

Material

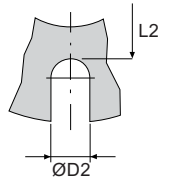
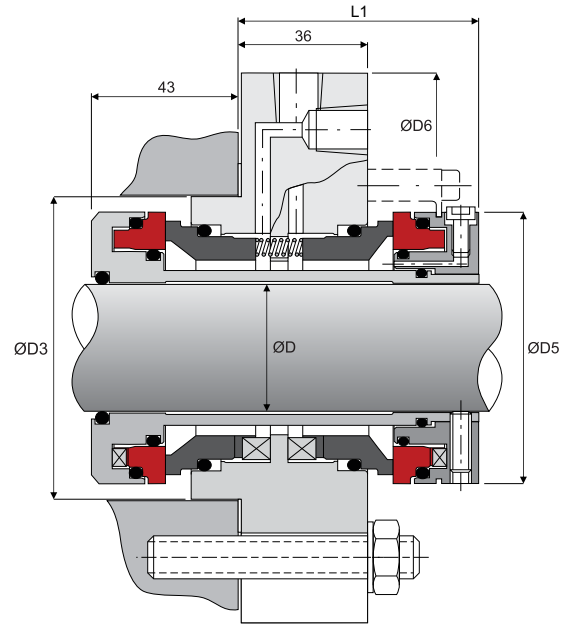
Stationary - Car / SiC / SSiC / TC
 Rotary - SiC / SSiC / TC
 Elastomer - NBR / EPDM / Viton / Aflas / FFKM

Working Conditions

Pressure ≤ 28 bar
 Speed ≤ 25m/s
 Temperature up to 205°C

Features

Manual venting possible
 Full pressure reversal possible
 Automatic closing by pressure reversal
 Double pressure balanced
 Shock & vibration dampened secondary faces
 Axial and radial 1/4" NPT barrier fluid connections
 Extreme motion tolerance of up to 5mm axial and oscillating



Seal Alternative
 Engineered to suit pump requirements, contact Nexus



Shaft Ø		ØD2	ØD3	ØD5	ØD6	L1	L2
Inches	Metric						
	50	17.5	95	89	180	70	113
2.000"	55	17.5	100	94	185	70	118
2.125"		17.5	100	94	185	70	118
2.250"	60	17.5	105	99	190	70	123
2.375"		17.5	105	99	190	70	123
2.500"	65	17.5	110	104	195	70	128
2.625"		17.5	115	109	200	70	133
2.750"	70	17.5	115	109	200	70	133
2.875"		17.5	120	114	205	70	138
3.000"	80	17.5	125	119	210	70	143
3.125"		17.5	125	119	210	70	143
3.250"	85	21.5	130	124	215	70	148
3.375"		21.5	135	129	220	70	153
3.500"	90	21.5	135	129	220	70	153
3.625"		21.5	140	134	225	70	158
3.750"	95	21.5	140	134	225	70	158
3.875"		21.5	145	139	230	70	163
4.000"	105	21.5	150	144	235	72	168
4.250"	110	21.5	155	149	240	72	173
4.500"	115	21.5	160	154	245	72	178
	120	21.5	165	159	250	72	183
4.750"	125	21.5	170	164	255	72	188
5.000"	130	21.5	175	169	260	72	193
5.250"	135	21.5	180	174	265	72	198
5.500"	140	21.5	185	179	270	72	203
	145	21.5	190	184	275	72	208
5.750"	150	21.5	195	189	280	72	213
6.000"	155	21.5	200	194	285	73	218
6.250"	160	21.5	205	199	290	73	223
6.500"	165	21.5	210	204	295	73	228
	170	21.5	215	209	300	73	233
6.750"	175	21.5	220	214	305	73	238
7.000"	180	21.5	225	219	310	73	243
7.250"	185	21.5	230	224	315	73	248
	190	21.5	235	229	320	73	253
7.500"	195	21.5	240	234	325	73	258
	200	21.5	245	239	330	73	263