

Features

Double seal - Controlled sealing environment

28bar design pressure

- Only limited by PV not seal construction

Easy impeller adjustment

- No need to find parts, or hope for the best

Stationary design

- Springs do not rotate

Springs outside the product

- No clogging

monolithic faces

- No inserts

Reverse pressure capabilities

- No immediate failure if barrier fluid pressure drops

Large barrier fluid cavity

- Increased cooling

Double stationary holder o-ring

- First o-ring prevents slurry from disturbing second o-ring

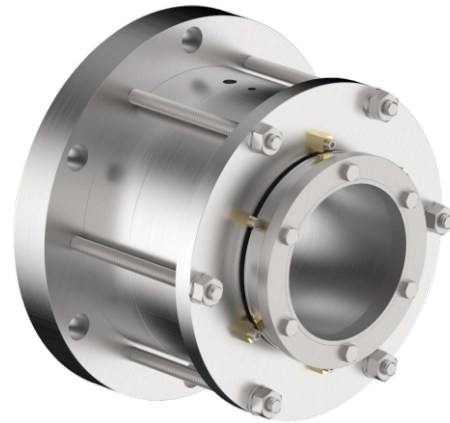
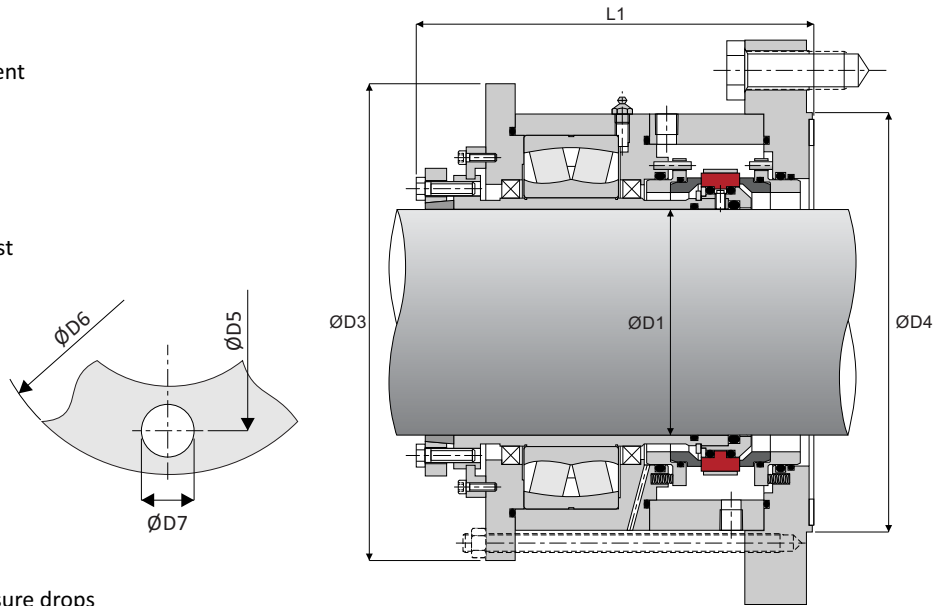
Large stationary holder o-ring

- Ease of responding to required movement

Four simple setting plates slide out of position

- No need to find setting clips for impeller adjustment

No grub screw damage to shaft/sleeve



ØD1	ØD4	ØD3	ØD5	ØD6	ØD7	L1	No. of Holes	Barrier In/Out
40	110	160	145	177	18	187	4	G 3/8
50	176	178	210	240	18	195	8	G 3/8
60	176	188	210	240	18	197	8	G 3/8
80	204	217	240	280	22	220	8	G 1/2
100	234	234	270	310	22	214	8	G 1/2
125	260	266	295	335	22	255	8	G 1/2
140	313	300	350	390	22	275	12	G 1/2
160	313	310	350	390	22	290	12	G 1/2
180	364	340	400	440	22	295	12	G 1/2
200	364	360	400	440	22	300	12	G 1/2
220	422	380	460	500	22	315	16	G 1/2