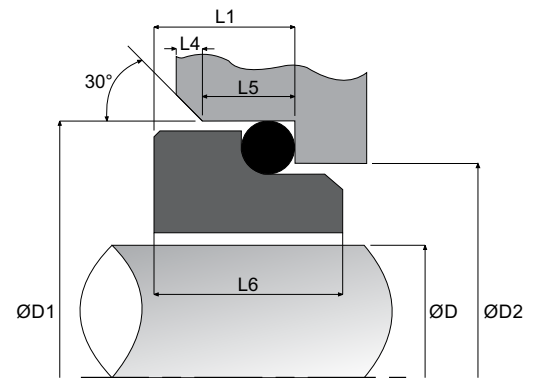




Materials

Stationary
Elastomer

- Cer / Sic / SSic / TC
- NBR / EPDM / Viton



Shaft ØD	ØD1	ØD2	L4	L5	L1	L6
10	21.0	17.0	1.5	1.5	6.6	7.5
12	23.0	19.0	1.5	1.5	6.6	7.5
14	25.0	21.0	1.5	1.5	6.6	7.5
15	25.0	21.0	1.5	1.5	6.6	7.5
16	27.0	23.0	1.5	1.5	6.6	7.5
18	33.0	27.0	2.0	2.0	7.5	7.5
20	35.0	29.0	2.0	2.0	7.5	8.5
22	37.0	31.0	2.0	2.0	7.5	8.5
24	39.0	33.0	2.0	2.0	7.5	8.5
25	40.0	34.0	2.0	2.0	7.5	8.5
28	43.0	37.0	2.0	2.0	7.5	8.5
30	45.0	39.0	2.0	2.0	7.5	8.5
32	48.0	42.0	2.0	2.0	7.5	8.5
33	48.0	42.0	2.0	2.0	7.5	8.5
35	50.0	44.0	2.0	2.0	7.5	8.5
38	56.0	49.0	2.0	2.0	9.0	8.5
40	58.0	51.0	2.0	2.0	9.0	8.5
43	61.0	54.0	2.0	2.0	9.0	10.0
45	63.0	56.0	2.0	2.0	9.0	10.0
48	66.0	59.0	2.0	2.0	9.0	10.0
50	70.0	62.0	2.5	2.5	9.5	10.0
53	73.0	65.0	2.5	2.5	11.0	10.0
55	75.0	67.0	2.5	2.5	11.0	10.0
58	78.0	70.0	2.5	2.5	11.0	10.5
60	80.0	72.0	2.5	2.5	11.0	12.0
63	83.0	75.0	2.5	2.5	11.0	12.0
65	85.0	77.0	2.5	2.5	11.0	12.0
68	90.0	81.0	2.5	2.5	11.3	12.0
70	92.0	83.0	2.5	2.5	11.3	12.0
75	97.0	88.0	2.5	2.5	11.3	12.0
80	105.0	95.0	3.0	3.0	12.0	12.0
85	110.0	100.0	3.0	3.0	14.0	12.5
90	115.0	105.0	3.0	3.0	14.0	12.5
95	120.0	110.0	3.0	3.0	14.0	12.5
100	125.0	115.0	3.0	3.0	14.0	13.0